

**RESTAURANTS. COFFEE SHOPS. ROASTERS. ENTREPRENEURS.
LEARN THE ASHE AIRPRO ADVANTAGE NOW!**

10
THE TOP

**REASONS
TO CHOOSE
THE COFFEE
INDUSTRIES #1
COMMERCIAL AIR
COFFEE ROASTER**

- #1 COMMERCIAL AIR ROASTER IN THE USA
- AWARD WINNING COFFEES
- PROVEN TURN KEY, LOW COST/HIGH ROI ROASTER SYSTEM
- SUPERIOR RELIABILITY, DURABILITY, ADVANCE TECHNOLOGY
- LIFETIME WARRANTY ON EXPERT CRAFTSMANSHIP
- LOWEST COST OF OWNERSHIP
- GO GREEN - 99% RECYCLABLE MATERIALS
- 100% CLIENT SATISFACTION
- DESIGNED, FABRICATED, AND ASSEMBLED IN THE USA
- TRUE PARTNERSHIP 100% COMMITTED TO YOUR SUCCESS



TESTIMONIALS

I have been using the roaster for three years now. It produces a perfectly even and consistent roast and enables me to "roast on demand" which is very important to my business.

★ ★ ★ ★ ★ - DR. CHARLES BROWN - WALAPA FARMS

We've used our ASHE roaster daily for over 10 years, It's perfect for small batch roasting. Our staff loves the easy consistency of the roast process and our customers love the flavor. It's so economical, we've added a second one to our business. It was the best investment our business ever made.

★ ★ ★ ★ ★ - ROBERT SMITH - OWNER SMITH FARMS

My ASHE roaster has been an extremely durable machine that makes great coffee every time. Every aspect of the machine exudes professional craftsmanship. Repairs are rarely needed but are accessible to the lay person. Definitely one of the best values in coffee roasting.

★ ★ ★ ★ ★ - JOSEPH PENNER - STEEL BRIDGE COFFEE, LLC



EMAIL: DAVEHART@ASHELLC.COM | PHONE: 844-722-4968 | ASHELLC.COM | WE LOVE WHAT WE DO!

	AIRPRO 10	AIRPRO 12	AIRPRO 15-1	AIRPRO 15-3	AIRPRO 22-1	AIRPRO 22-3
Capacity						
Capacity per batch	10 lbs	12 lbs	15 lbs	15 lbs	22 lbs	22 lbs
Batches per hour	4	4	4	4	4	4
Capacity per hour	40	48	60	60	88	88
Electric Power (Heating Circuit)						
Voltage	240 V	208 V	240 V	208 V	240 V	208 V
Amps	45	40	65	50	85	60
Frequency	50/60 Hz	50/60 Hz	50/60 Hz	50/60 Hz	50/60 Hz	50/60 Hz
Phase	1	3	1	3	1	3
Roaster Dimensions						
Height	53"	55"	55"	55"	56"	56"
Width	18"	18"	18"	18"	18"	18"
Length	18"	18"	18"	18"	18"	18"
Weight	130 lbs	160 lbs	170 lbs	170 lbs	185 lbs	185 lbs
Cooler Dimensions						
Height	27"	27"	27"	27"	27"	27"
Width	18"	18"	18"	18"	18"	18"
Length	18"	18"	18"	18"	24"	24"
Weight	40 lbs	40 lbs	40 lbs	40 lbs	55 lbs	55 lbs
Price						
	\$7,995.00	\$9,495.00	\$10,995.00	\$10,995.00	\$13,495.00	\$13,495.00

ASHE Chaff Collector						
Model	Height	Width	Length	Weight	Voltage	Freq
CC01	75"	18.5"	18.5"	210 lbs"	240	50/60 Hz

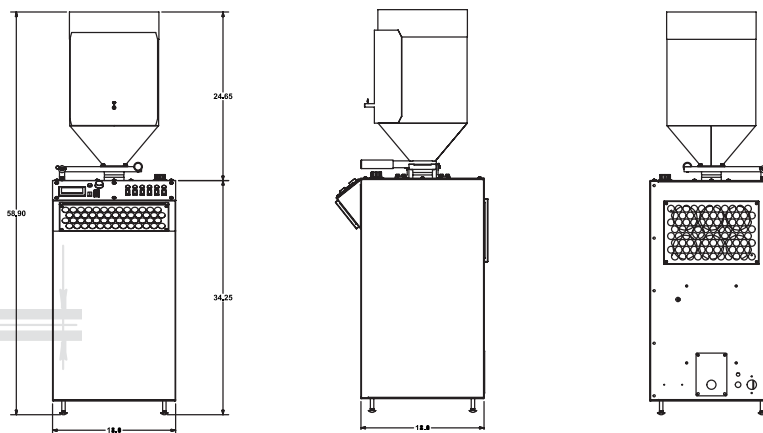
* All Roasters noted above also require a dedicated 120 Volt, 20 Amp outlet for system power

WHAT'S INCLUDED IN THE AIRPRO SYSTEM

- ASHE Custom Roaster
- ASHE Cooling System
- USB Interface Cable
- Quick Start Guide
- AIRPRO Training Manual
- Proprietary Roast Profiles
- Cropster Ready Interface
- ASHE Approved Wholesale Vendors List
- Cleaning Kit
- Lifetime Warranty for Craftsmanship
- Unlimited Partner Support

AVAILABLE OPTIONS

- Custom Branding Packages For Your Business
- Color Options
- Custom Client Requirements (Let's Talk!)
- 220 Volt System For EU and Central America
- Exhaust Silencer For Chaff Collector
- Mobile Leveling Castors
- Custom Covers



22 LB FLUID BED ROASTER

